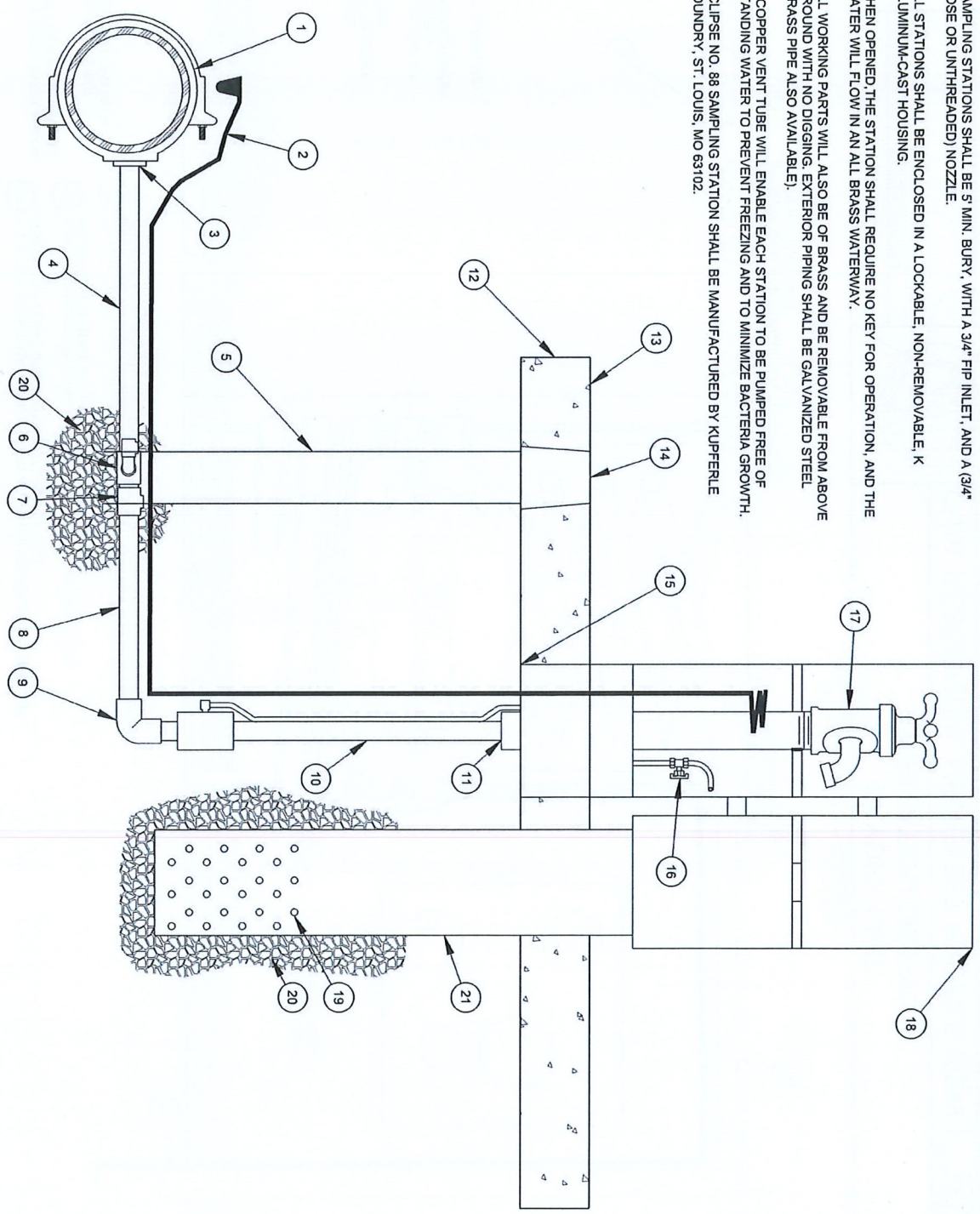


ITEM NO. AND DESCRIPTION:

- 1 WATER MAIN.
- 2 10 GAUGE SOLID COPPER TRACER WIRE. CONNECT TO TRACE WIRE MAIN USING 3M TYPE DBR.
- 3 CORP STOP WITH POLY PLUG.
- 4 1" 280 PSI POLY.
- 5 4" PVC STACK WITH TYLOR TOP SECTION AND LID.
- 6 3/4" MIPT x POLY.
- 7 1" BALL CURB VALVE.
- 8 24" x 1" GALVANIZED NIPPLE.
- 9 3/4" x 1" ELBOW MIPT.
- 10 GALVANIZED STEEL STANDPIPE.
- 11 5' MIN. DEPTH OF BURY.
- 12 2' x 3' x 3" CONCRETE SLAB.
- 13 GROUND LINE.
- 14 LID 926-C STYLE.
- 15 ALUMINUM BASE.
- 16 COPPER VENT TUBE WITH OPTIONAL 1/4" BALL VALVE IN PLACE OF 1/4" PET.
- 17 ECLIPSE 88 SAMPLING STATION.
- 18 ALUMINIUM HOUSING.
- 19 PERFORATED OR SLIT PIPE DRAIN BOTTOM 18-INCH.
- 20 DRAIN ROCK AND FABRIC.
- 21 10" C-900 PVC VERTICAL PIPE WITH DRAIN ROCK TO 48" BELOW GRADE MINIMUM.

NOTES:

- 1. SAMPLING STATIONS SHALL BE 5' MIN. BURY, WITH A 3/4" FIP INLET, AND A (3/4" HOSE OR UNTHREADED) NOZZLE.
- 2. ALL STATIONS SHALL BE ENCLOSED IN A LOCKABLE, NON-REMOVABLE, K ALUMINIUM-CAST HOUSING.
- 3. WHEN OPENED THE STATION SHALL REQUIRE NO KEY FOR OPERATION, AND THE WATER WILL FLOW IN AN ALL BRASS WATERWAY.
- 4. ALL WORKING PARTS WILL ALSO BE OF BRASS AND BE REMOVABLE FROM ABOVE GROUND WITH NO DIGGING. EXTERIOR PIPING SHALL BE GALVANIZED STEEL (BRASS PIPE ALSO AVAILABLE).
- 5. A COPPER VENT TUBE WILL ENABLE EACH STATION TO BE PUMPED FREE OF STANDING WATER TO PREVENT FREEZING AND TO MINIMIZE BACTERIA GROWTH. FOUNDRY, ST. LOUIS, MO 63102.



REVISIONS

DATE	DESCRIPTION



HAYDEN LAKE
IRRIGATION DISTRICT

ECLIPSE NO. 88 SAMPLING STATION

SCALE: NONE
 DWG: 004 - SAMPLE STATION(11-2019).dwg
 DATE: April 2020
 APPROVED: BR
 HLID DETAIL #: 004